

OEM Brackets & Hangers



Metal Brackets Application Information

Make	Application Information	Location	ni Number	Item Number	See Page
BUICK	1992 Century 204 (3.3L)	Converter	27841	841	45
BUICK	1990-92 Century 151 (2.5L)	Converter	27840	840	45
BUICK	1990-91 Century 204 (3.3L)	Converter	27840	840	45
BUICK	1988-92 REGAL 2.8L, 3.1L	Middle Pipe	27848	848	45
BUICK	1986-91 Century 151 (2.5L)	Converter	27841	841	45
BUICK	1982-92 Century 151, 181, 231 (Exc. Station Wagon)	Muffler - Rear	27803	803	44
BUICK	1980-85 Skylark 151, 173	Muffler - Rear	27803	803	44
BUICK	1979-85 Riviera 231, 252, 307, 350N, R, X;	Muffler - Dual; Muffler Right	27814	814	44
BUICK	1975-79 Apollo, Skylark 231, 250, 260, 301, 305, 350	Muffler - Dual; Muffler Right	27814	814	44
BUICK	1971-76 Centurion, Electra, Lesabre 350J-K, 455	Tail Pipe	27166	166	44
CADILLAC	1979-85 Eldorado, Seville 250 (4.1L), 252, 350N, 8, 368	Muffler	27814	814	44
CADILLAC	1977-92 Fleetwood Brougham 252, 305, 307, 350N-7, 368	Muffler	27808	808	44
CADILLAC	1971-72 Calais, Deville, Fleetwood Brougham, Fleetwood Limo 472, 500	Tail Pipe	27822	822	44
CHEVROLET	1990-93 C10, C20, C30, 262 (4.3L)	Muffler - Dual Outlet	27835	835	45
CHEVROLET	1990-93 C10, C20, C30 262 (4.3L)	Muffler - Dual Outlet	27837	837	45
CHEVROLET	1990-92 P Series 4.3L, 5.7L, 7.4L	Middle Pipe	27832	832	45
CHEVROLET	1990-92 K10, K20, K30 262 (4.3L)	Muffler - Dual Outlet	27835	835	45
CHEVROLET	1990-92 K10, K20, K30 262 (4.3L)	Muffler - Dual Outlet	27837	837	45
CHEVROLET	1990-92 V30 262 (4.3L)	Muffler - Dual Outlet	27837	837	45
CHEVROLET	1990-92 LUMINA 2.5L, 3.1L	Middle Pipe	27848	848	45
CHEVROLET	1990 C10, C20, C30 454 (7.4L)	Muffler - Dual Outlet	27835	835	45
CHEVROLET	1990 C10, C20, C30 454 (7.4L)	Muffler - Dual Outlet	27837	837	45
CHEVROLET	1990 Celebrity 151 (2.5L), 189 (3.1L)	Converter	27840	840	45
CHEVROLET	1988-93 C10, C20, C30 350K (5.7L), 379 (6.2L)	Muffler - Dual Outlet	27835	835	45
CHEVROLET	1988-93 K10, K20, K30 350K (5.7L) 379 (6.2L)	Muffler - Dual Outlet	27835	835	45
CHEVROLET	1988-93 C10, C20, C30 350K (5.7L), 379 (6.2L)	Muffler - Dual Outlet	27837	837	45
CHEVROLET	1988-93 K10, K20, K30 350K (5.7L) 379 (6.2L)	Muffler - Dual Outlet	27837	837	45
CHEVROLET	1988-91 S10 4WD 173, 262	Tail Pipe	27829	829	44
CHEVROLET	1988-91 R10, R20, R30 350 K (5.7L), 379 (6.2L)	Muffler - Dual Outlet	27835	835	45
CHEVROLET	1988-91 V30 350K (5.7L), 379 (6.2L)	Muffler - Dual Outlet	27835	835	45
CHEVROLET	1988-91 R10, R20, R30 350K (5.7L), 379 (6.2L)	Muffler - Dual Outlet	27837	837	45
CHEVROLET	1988-91 V30 350K (5.7L), 379 (6.2L)	Muffler - Dual Outlet	27837	837	45
CHEVROLET	1986-90 Celebrity 151 (2.5L)	Converter	27841	841	45
CHEVROLET	1985-91 Astro Mini Van 2.5L, 4.3L	Converter - Middle Pipe	27833	833	45
CHEVROLET	1985-90 Astro 2.5L, 4.3L	Muffler; Tail Pipe	27814	814	44
CHEVROLET	1984-91 Corvette 350	Muffler - Rear	27803	803	44
CHEVROLET	1983-91 S10 Pickup 4WD 1.9L, 2.8L, 4.3L	Muffler; Tail Pipe	27814	814	44
CHEVROLET	1983-88 S10 4WD 119, 121, 151, 173	Tail Pipe	27829	829	44
CHEVROLET	1982-91 Suburban 6.2L W/Dual Exhaust	Muffler; Tail Pipe	27814	814	44
CHEVROLET	1982-91 S10, Pickup 2.0L, 121, 151, 173, 262	Muffler - Front	27822	822	44
CHEVROLET	1982-90 G10 & 1500 Series, G20 & 2500 Series, G30 & 3500 Series 250, 262, 305, 350K	Tail Pipe	27829	829	44

Metal Brackets Application Information Cont.

Make	Application Information	Location	ni Number	Item Number	See Page
CHEVROLET	1982-89 Celebrity 151, 173	Muffler - Rear	27803	803	44
CHEVROLET	1982-87 C & R 10, 6.2L W/ Dual Exhaust	Muffler; Tail Pipe	27814	814	44
CHEVROLET	1982-87 C, R 20 Series 379 (6.2L)	Muffler - Front	27822	822	44
CHEVROLET	1982-84 G10 250, 305, 350, 400	Muffler; Tail Pipe	27814	814	44
CHEVROLET	1980-87 C & K Blazer, Jimmy, Pickup Suburban 305, 350	Rail Pipe - Dual; Outlet Left	27830	830	45
CHEVROLET	1980-85 Citation 151, 173	Muffler - Rear	27803	803	44
CHEVROLET	1980-81 Camaro (Exc. Z28) 229, 231, 267, 305	Muffler - Dual Outlet	27814	814	44
CHEVROLET	1979-82 Blazer 250, 305, 350, 379, 454	Muffler - Front	27822	822	44
CHEVROLET	1978-84 C10 Series 250, 305, 350L-Z	Muffler - Front	27822	822	44
CHEVROLET	1977-87 Suburban 250, 305, 350, 379, 454	Muffler - Front	27822	822	44
CHEVROLET	1977-78 G10 & 1500 Series, G20 & 2500 Series, G30 & 3500 Series 292	Tail Pipe	27829	829	44
CHEVROLET	1975-92 Bel Air, Caprice, Impala 229, 231, 250, 262, 267, 305, 350, 350N, 400, 454	Muffler	27808	808	44
CHEVROLET	1975-80 Luv 110 (1.8L)	Pipe	27143	143	44
CHEVROLET	1975-79 Nova 250, 262, 305, 350	Muffler - Dual Outlet	27814	814	44
CHEVROLET	1975-77 Chevelle, Malibu, Monte Carlo 250, 305, 350, 400	Muffler	27808	808	44
CHEVROLET	1975-77 El Camino, Sprint, Caballero 250, 305, 350, 400	Muffler	27808	808	44
CHEVROLET	1973-79 Nova 350	Muffler - Dual Outlet	27814	814	44
CHEVROLET	1973-74 C10 Series 250, 292, 350	Muffler - Front	27822	822	44
CHEVROLET	1971-76 (Exc. Station Wagon)	Tail Pipe	27166	166	44
CHEVROLET	1970-74 Camaro 307, 350, 402	Muffler - Dual Outlet	27814	814	44
CHRYSLER	1984-85 Daytona, Lancer 1.5 (Exc. Turbo)	Muffler	27601	601	44
CHRYSLER	1983-85 400, 600, E-Class, Laser, Lebaron, New Yorker 135, 156 (Exc. 1985 2BBL)	Muffler	27601	601	44
CHRYSLER	1983-90 Horizon, Omni 98, 135 (Exc. Turbo)	Muffler	27601	601	44
CHRYSLER	1980-83 Horizon, Omni 105, 135	Muffler	27601	601	44
CHRYSLER	1981-85 Aries, Reliant 135, 156	Muffler	27601	601	44
CHRYSLER	1977-89 Aspen, Cordoba, Diplomat, Gran Fury, Lebaron Magnum, Mirada, New Yorker St Regis 225, 318	Tail Pipe	27822	822	44
DODGE	1982-84 Rampage, Scamp 135 (2.2L)	Exhaust Pipe -2nd.; Muffler -Front	27601	601	44
FORD	1990-92 Aerostar 4.0L	Converter	27717	717	44
FORD	1989 Aerostar 3.0L	Converter	27717	717	44
GMC	1990-93 C1500, C2500, C3500 262 (4.3L)	Muffler - Dual Outlet	27835	835	45
GMC	1990-93 C1500, C2500, C3500, V3500 262 (4.3L)	Muffler - Dual Outlet	27836	836	45
GMC	1990-92 P Series 4.3L, 5.7L, 7.4L	Middle Pipe	27832	832	45
GMC	1990-92 K1500, K2500, K3500 262 (4.3L)	Muffler - Dual Outlet	27835	835	45
GMC	1990-92 K1500, K2500, K3500 262 (4.3L)	Muffler - Dual Outlet	27836	836	45
GMC	1990 C1500, C2500, C3500 454 (7.4L)	Muffler - Dual Outlet	27835	835	45
GMC	1990 C1500, C2500, C3500, V3500 454 (7.4L)	Muffler - Dual Outlet	27836	836	45
GMC	1988-93 C1500, C2500, C3500 350K (5.7L), 379 (6.2L)	Muffler - Dual Outlet	27835	835	45
GMC	1988-93 K1500, K2500, K3500 350K (5.7L), 379 (6.2L)	Muffler - Dual Outlet	27835	835	45
GMC	1988-93 C1500, C2500, C3500, V3500 350K (5.7L), 379 (6.2L)	Muffler - Dual Outlet	27836	836	45

Metal Brackets Application Information Cont.

Make	Application Information	Location	ni Number	Item Number	See Page
GMC	1988-93 K1500, K2500, K3500 350K (5.7L), 379 (6.2L)	Muffler - Dual Outlet	27836	836	45
GMC	1988-91 R2500, R3500 350K (5.7L), 379 (6.2L)	Muffler - Dual Outlet	27835	835	45
GMC	1988-91 V3500 350K (5.7L), 379 (6.2L)	Muffler - Dual Outlet	27835	835	45
GMC	1988-91 R2500, R3500 350K (5.7L), 379 (6.2L)	Muffler - Dual Outlet	27836	836	45
GMC	1988-91 V3500 350K (5.7L), 379 (6.2L)	Muffler - Dual Outlet	27836	836	45
GMC	1985-91 Safari Mini Van 2.5L, 4.3L	Converter - Middle Pipe	27833	833	45
GMC	1985-90 Safari (Exc. A.W.D.) 2.5L, 4.3L	Muffler; Tail Pipe	27814	814	44
GMC	1983-91 S15 Pickup 4WD 1.9L, 2.8L, 4.3L	Muffler; Tail Pipe	27814	814	44
GMC	1982-91 Suburban 6.2L W/Dual Exhaust	Muffler; Tail Pipe	27814	814	44
GMC	1982-91 S15 Pickup 2WD 119, 121, 137 (2.2L Diesel) 151, 173	Muffler - Front	27822	822	44
GMC	1982-87 C & R 1500 6.2L W/ Dual Exhaust	Muffler; Tail Pipe	27814	814	44
GMC	1982-87 C, R 20 Series 379 (6.2L)	Muffler - Front	27822	822	44
GMC	1982-84 G1500, G1600 250, 305, 350, 400	Muffler; Tail Pipe	27814	814	44
GMC	1979-82 Jimmy 250, 305, 350	Muffler - Front	27822	822	44
GMC	1978-84 C1500 Series 250, 305, 350L-Z	Muffler - Front	27822	822	44
GMC	1973-76 Jimmy 307, 350	Muffler - Front	27822	822	44
GMC	1973-74 C1500 Series 250 (6.2L) 292, 350	Muffler - Front	27822	822	44
NISSAN	1987-90 Pulsar 1597cc (1.6L), 1908cc (1.8L)	Exhaust Pipe - 2nd Pipe	27236	236	46
NISSAN	1987-90 Sentra 1488cc (1.5L), 1597cc (1.6L)	Exhaust Pipe - 2nd Pipe	27236	236	46
NISSAN	1983-86 720, 1952cc (2.0L), 2393cc (2.4L), 2488cc (2.5L Diesel)	Muffler	27239	239	46
NISSAN	1981-83 200SX 1852cc (2.0L), 2187cc (2.2L)	Muffler	27239	239	46
OLDSMOBILE	1990-92 Ciera 151 (2.5L)	Converter	27840	840	45
OLDSMOBILE	1990-91 Ciera 204 (3.3L)	Converter	27840	840	45
OLDSMOBILE	1992 Ciera 204 (3.3L)	Converter	27841	841	45
OLDSMOBILE	1988-92 Cutlass 2.3L, 2.8L, 3.1L	Middle Pipe	27848	848	45
OLDSMOBILE	1986-90 Ciera 151 (2.5L)	Converter	27841	841	45
OLDSMOBILE	1982-85 Ciera 151, 181	Muffler - Rear	27803	803	44
OLDSMOBILE	1980-84 Omega 151, 173	Muffler - Rear	27803	803	44
OLDSMOBILE	1977-92 Custom Cruiser 305, 307, 350N, 403	Muffler	27808	808	44
OLDSMOBILE	1975-85 Delta 88 & Royale, 98 Luxury & Regency, Toronado 231, 252, 260, 301, 307, 350, 350G, L, N, R, 400, 403, 455;	Muffler	27808	808	44
OLDSMOBILE	1975-79 Omega 231, 250, 260, 305, 350	Muffler - Dual; Tail Pipe	27814	814	44
OLDSMOBILE	1975-77 Cutlass 231, 250, 260, 350, 403, 455	Muffler	27808	808	44
OLDSMOBILE	1971-76 Delta 88, 98 Regency 350, 455	Tail Pipe	27166	166	44
PONTIAC	1990-93 Transport Van 189, 231	Muffler - Rear	27803	803	44
PONTIAC	1990-91 6000 151 (2.5L), 189 (3.1L)	Converter	27840	840	45
PONTIAC	1989-92 Grand Prix 2.3L, 2.8L, 3.1L	Middle Pipe	27848	848	45
PONTIAC	1986-91 6000 151 (2.5L)	Converter	27841	841	45

Metal Brackets Application Information Cont.

Make	Application Information	Location	ni Number	Item Number	See Page
PONTIAC	1980-84 Phoenix 151, 173; 1982-85 6000 151, 173, 260D (Exc. Station Wagon)	Muffler - Rear	27803	803	44
PONTIAC	1977-79 Station Wagon 400, 403	Muffler	27808	808	44
PONTIAC	1975-86 Catalina, Bonneville, Grandville, Parisienne 229, 231, 265, 301, 305, 307, 350N, P, R, X, 400, 403	Muffler	27808	808	44
PONTIAC	1975-81 231, 301 250, 305, 350P,R, 400, 403, 455	Muffler - Dual; Tail Pipe	27814	814	44
PONTIAC	1975-79 Phoenix Ventura II 151, 231, 250, 260, 301, 305, 350	Muffler -Dual; Tail Pipe	27814	814	44
PONTIAC	1971-76 Bonneville, Catalina, Grandville 350, 400, 455	Tail Pipe	27166	166	44
TOYOTA	1985-88 4-Runner 2.4L	Muffler	27237	237	46
TOYOTA	1984-89 Pickup 4WD 2.4L	Muffler	27237	237	46
TOYOTA	1984-85 4WD 2.0L Diesel	Muffler	27237	237	46

Metal Brackets

27601 **601**

CHRYSLER

A. N/A
R. BR430

M. FEH652
W. N/A

27822 **822**

CHRYSLER

A. 8503
R. BR202C

M. N/A
W. 35045

27717 **717**

FORD

A. N/A
R. BR92101

M. TH1075B
W. 35815

27143 **143**

GM

A. 339985
R. BR855

M. TPH101B
W. 35003

27166 **166**

GM

A. 8509
R. BR129

M. TPH131B
W. 35175

27803 **803**

GM

A. 9961
R. BR676

M. TPH212B
W. 35092

27808 **808**

GM

A. 8119
R. BR261

M. TPH201B
W. 35662

27814 **814**

GM

A. 8215
R. BR318

M. TPH190B
W. 35358

27822 **822**

GM

A. 8503
R. BR202C

M. N/A
W. 35045

27829 **829**

GM

A. 8566
R. BR683

M. TPH197B
W. N/A

A. AP/GOERLICH'S; M. MARWIL; R. ROL; W. WALKER

Metal Brackets

27830 **830**

A. 8212 M. TPH929B
R. BR91900 W. 35566

27831 **831**

A. N/A M. N/A
R. N/A W. N/A

27832 **832**

A. N/A M. TPH1274B
R. BR92021 W. N/A

27833 **833**

A. 8015 M. TH1060B
R. BR91958 W. 35715

27835 **835**

A. 8170 M. TPH240B
R. BR91915 W. N/A

27836 **836**

A. 8322 M. TPH367B
R. BR92099 W. 35287

27837 **837**

A. 8214 M. TH1017B
R. BR91946 W. N/A

27840 **840**

A. N/A M. FW887
R. BR92100 W. 35010

27841 **841**

A. N/A M. TPH860B
R. BR92111 W. 35893


27848 **848**

A. N/A M. FW200
R. BR92024 W. 35242

A. AP/GOERLICH'S; M. MARWIL; R. ROL; W. WALKER

Metal Brackets

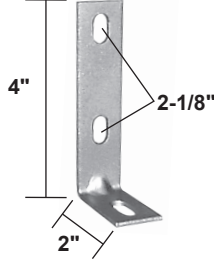
27236 **236**



A. 8154 M. TPH1199B
R. BR91938 W. 35812

NISSAN


27239 **239**



A. 8234 M. N/A
R. BR813 W. N/A

NISSAN

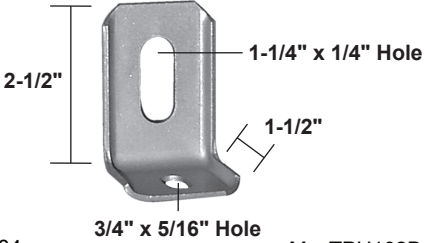
27237 **237**



A. N/A M. FEH940
R. BR91942 W. 35493

TOYOTA

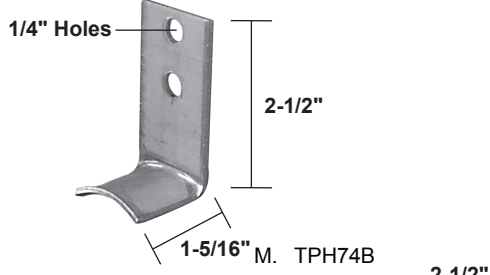
27142 **142**



A. 339984 M. TPH102B
R. BR755 W. 35024

UNIVERSAL

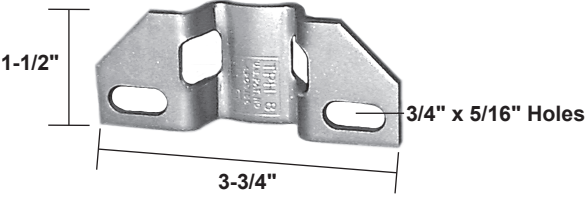
27148 **148**



A. N/A M. TPH74B
R. BR92244 W. N/A

UNIVERSAL

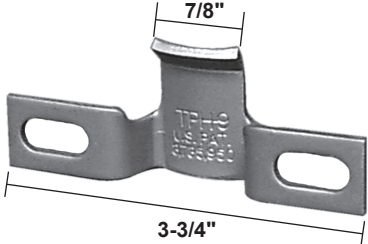
27151 **151**



A. 9971 M. TPH51B
R. BR92171 W. 35099

UNIVERSAL

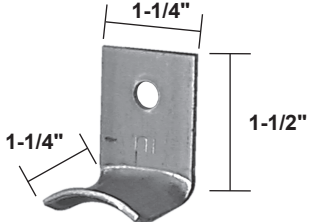
27152 **152**



A. N/A M. TPH52B
R. BR92181 W. N/A

UNIVERSAL

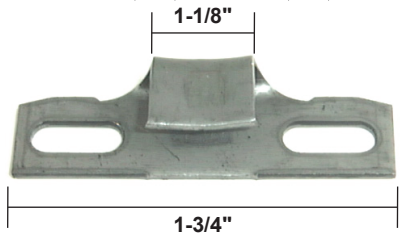
27153 **153**



A. N/A M. TPH211BL
R. BR92254 W. N/A

UNIVERSAL

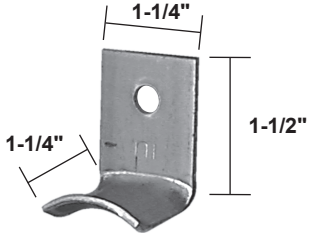
27154 **27154**



A. 9934 M. N/A
R. BR112 W. 35674

UNIVERSAL

27155 **27155**



A. N/A M. TPH77B
R. BR784 W. 35098

UNIVERSAL

A. AP/GOERLICH'S; M. MARWIL; R. ROL; W. WALKER

Metal Brackets

27156 **27156**

A. N/A M. TPH1234B
R. BR91924 W. N/A

27159 **27159**

A. N/A M. TPH75B
R. BR92255 W. N/A

27160 **160**

A. 339987 M. N/A
R. BR017 W. 35047

27161 **161**

A. 339988 M. N/A
R. BR018 W. 35048

27162 **162**

A. 8555 M. N/A
R. BR668 W. 35021

27163 **163**

A. 339989 M. BR388
R. BR388 W. 35019

27164 **164**

A. 339990 M. TPH85B
R. BR754 W. N/A

27165 **165**

A. 339991 M. TPH95B
R. BR754W W. N/A

27181 **27181**

A. N/A M. TPH1228B
R. BR91920 W. N/A

27211 **27211**

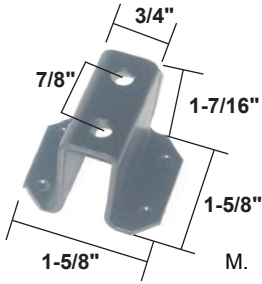
A. N/A M. TPH981B
R. BR91981 W. N/A

A. AP/GOERLICH'S; M. MARWIL; R. ROL; W. WALKER

Metal Brackets

27212

27212



A. N/A
R. BR91919

M. EPB5339
W. N/A

27510

510

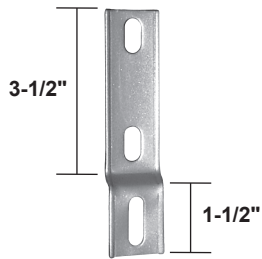


A. 9962
R. BR378

M. TPH209B
W. 35090

27838

838

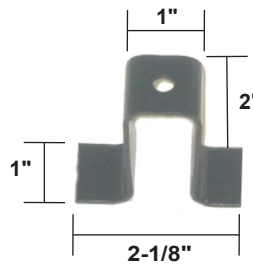


A. N/A
R. BR770

M. TPH175B
W. N/A

27226

27226

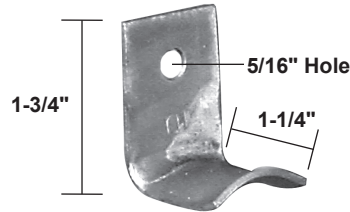


A. N/A
R. BR91908

M. TPH1210B
W. N/A

27818

818

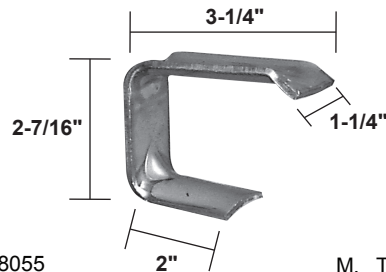


A. 8251
R. BR771

M. N/A
W. N/A

27861

27861



A. 8055
R. MB121

M. TPH121B
W. N/A

UNIVERSAL

UNIVERSAL

UNIVERSAL

UNIVERSAL

UNIVERSAL

UNIVERSAL

A. AP/GOERLICH'S; M. MARWIL; R. ROL; W. WALKER